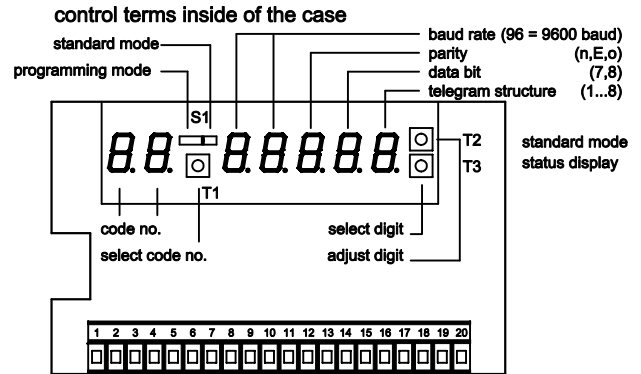
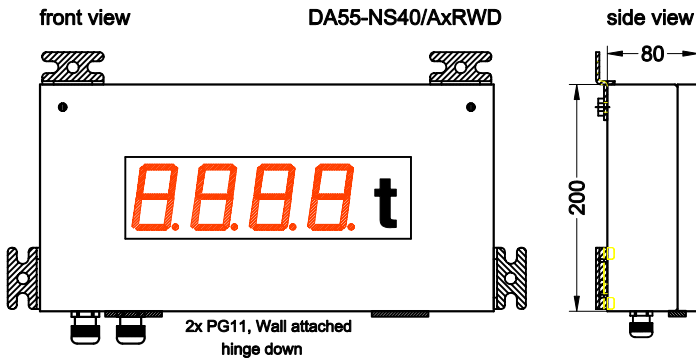


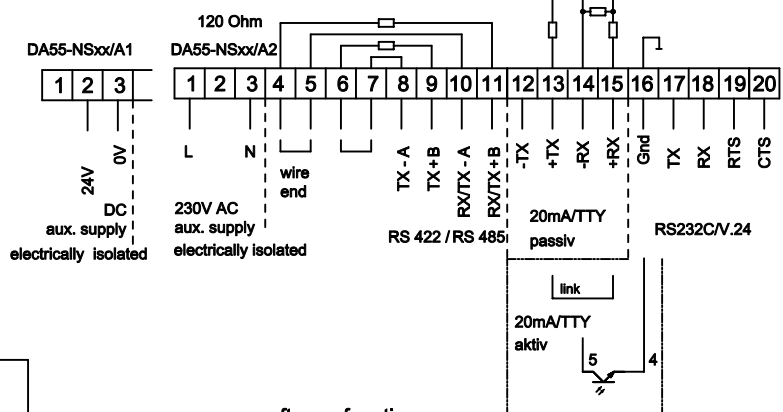
# Type: DA55-NSxx/AxxW serial interface



### programming

code no.	display	description
0	0 0 0 0	interface RS232 20mA/TTY RS485 RS422
1	1 2 0 0 2 4 0 0 4 8 0 0 9 6 0 0 1 9 2 0 0	baud rate 1200 baud 2400 baud 4800 baud 9600 baud 19200 baud
2	1 2 3 4 5	data format parity data bit n none 8 Bit E even 7 Bit o odd 7 Bit E even 8 Bit o odd 8 Bit
3	1 2 3 4 5 6 7 8	telegram structure 1 D1 ... Dn time distance between 2 teleg. min. 200ms 2 STX D1 ... Dn ETX 3 STX address address D1 ... Dn ETX 4 SOH address address STX D1 ... Dn ETX 5 D1 ... Dn CR/LF 6 D1 ... Dn CR 7 Berkel L215 - L226 8 STX D1 ... Dn EOT
4	0 0 - 1 9 9	device address 00 ... 99 (100 addresses adjustable) address 1 one figure (-0 ... -9) address 99 two figure (00 ... 99)
5	0 1	presage zero blank-out 0 = without 1 = with direction of writing right → left direction of writing left → right
6	0 0 9 9	suppression up to 99 leading signs
7	0 - 0 1	0 = without comma 1 ... n = comma place 10 <sup>n</sup> - 10 <sup>n</sup> (2. - n Digit) at negative value underline deactivated " minus + underline activated " _ _ _ _
8	0 0 0 1 9 9	time out function deactivated 01 - 99 sec. after the last telegram shows the display -- 4t --

### rear connector with screw-type terminals



### software functions

function	ASCII	description
segment test	\$0	segment test on until receiving next data telegram
leading zeros	\$1	leading zeros displayed
zeros	\$2	leading zeros suppressed
blinking sign	\$32	2 is blinking
blinking display	\$4	blinking display on
	\$5	blinking display off
direction of writing	\$6	left → right
	\$7	right → left

### case dimensions

DA55			steel tin mounting case powder seam RAL 9005			outside measurement		
DA55-NS __/xxxW	DA55-NS __/xxxW D	DA55-NS __/xxxW D1	width	x high	x depth			
30	40	50	300	200	80			
40	50	60	400					
50	60		500					

If you set under the code number 4 (-0...-9) an address will the telegramstructure be changed

### technical data:

power supply :	DA55-NSxx/A1...	18 - 35 V DC
	DA55-NSxx/A2...	230 V AC
current reception :		max. 12 VA
temperature range :		-20 °C...+65 °C
display high, -color:		57 mm, red or green

### sign rate :

Hex	20	2C	2D	2E	30	31	32	33	34	35	36	37	38	39	3D	41	43	45	46	48	4C	50	55	5D	5F	62	63	64	68	6E	6F	72	75	78	7E
Digit	.	-	0	1	2	3	4	5	6	7	8	9	-	A	C	E	F	H	L	P	U	]	-	b	c	d	h	n	o	r	u	□	†		

DA55-NS	LED color:	D = max. 2 figures	D1 = max. 4 figures
	aux. supply:	R = red	G = green
	input:	1 = 24V DC	2 = 230V AC
	number of digits:	A = RS232C/V24 20mA/TTY RS422 RS485	
		30 = 3 digits	40 = 4 digits
			50 = 5 digits
			60 = 6 digits

### GS Gebhardt & Schäfer Industrie-Elektronik GmbH

Porschestr. 11  
D-51381 Leverkusen  
Tel. +49 (0) 21 71 / 73 72 2 -0  
Fax +49 (0) 21 71 / 73 72 2 -39  
Internet: <http://www.GS-GmbH.de>  
E-Mail: [info@GS-GmbH.de](mailto:info@GS-GmbH.de)

Köln Bank eG  
IBAN: DE62 3716 0087 0940 9250 10  
BIC: GENODE33CGN  
Kreissparkasse Köln  
IBAN: DE65 3705 0299 0312 0061 45  
BIC: COKSDE33

Deutsche Bank AG  
IBAN: DE30 3757 0024 0851 0851 00  
BIC: DEUTDE3375  
Foreign Payments:  
Account-No. 851 085 1  
S.W.I.F.T. DEUTDEDB 375

Geschäftsführer:  
Karlheinz Schäfer  
Guido Gebhardt  
USt.-Nr. DE 123713297  
Amtsgericht Köln, HRB 48860  
D-U-N-S@: 340802073